

FEATURES:

- Washable and Sealed type tact switch with IP67 rating.
- Sharp click feel with a positive tactile feedback. Due to a small movement distance (stroke), user experiences distinct sensation when the switch “clicks” into place.
- High reliability.
- Insert molding in the contact with special treatment prevents flux build-up during soldering and permits auto-dipping.

MATERIAL:

- Cover: Stainless steel.
- Base: UL94V-0 High Temperature Thermoplastic.
Color: Black.
- Stem: UL94V-0 High Temperature Thermoplastic
Color: Brown(160gf), Red(260gf),
White(320gf), Yellow(520gf).
- Sealed Gasket: Silicone
Color: Black
- Contact: Stainless Steel.
- Terminal: Brass with silver plated.

SPECIFICATIONS:

MECHANICAL:

- Operation Force:

520 ± 130gf	Yellow (Y)
320 ± 80gf	White (W)
260 ± 50gf	Red (R)
160 ± 50gf	Brown (N)
- Stroke: 0.4 ± 0.1mm
- Operating Temperature Range: -40°C to +85°C
- Storage Temperature Range: -40°C to +85°C

ELECTRICAL:

- Electrical Life: 1,000,000 cycles min. for 160gf, 260gf
500,000 cycles min. for 320gf, 520gf
- Rating: 50mA, 24VDC.
- Contact Resistance: 100mΩ max.
- Insulation Resistance: 100MΩ min. at 250VDC.
- Dielectric Strength: 250VAC/1 minute.
- Contact Arrangement: SPST-NO

PACKAGING:

TUBE:

39pcs

Tape & Reel:

STSM-WS2□1: 700pcs

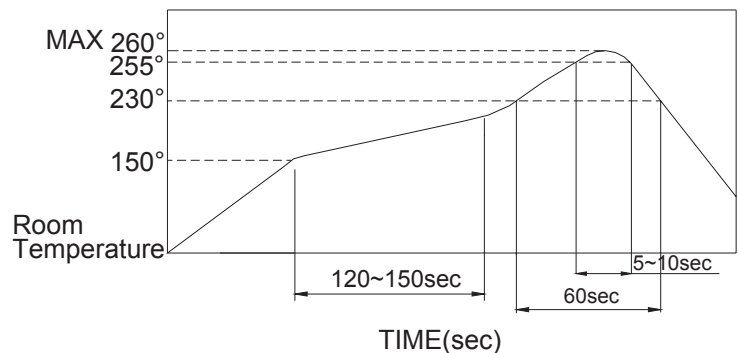
STSM-WS2□4: 500pcs

SOLDERING PROCESS:

▲ Wave Soldering: Recommended solder temperature at 500°F(260°C)max. 5 seconds subject to PBC 1.6mm thickness (For through hole type)

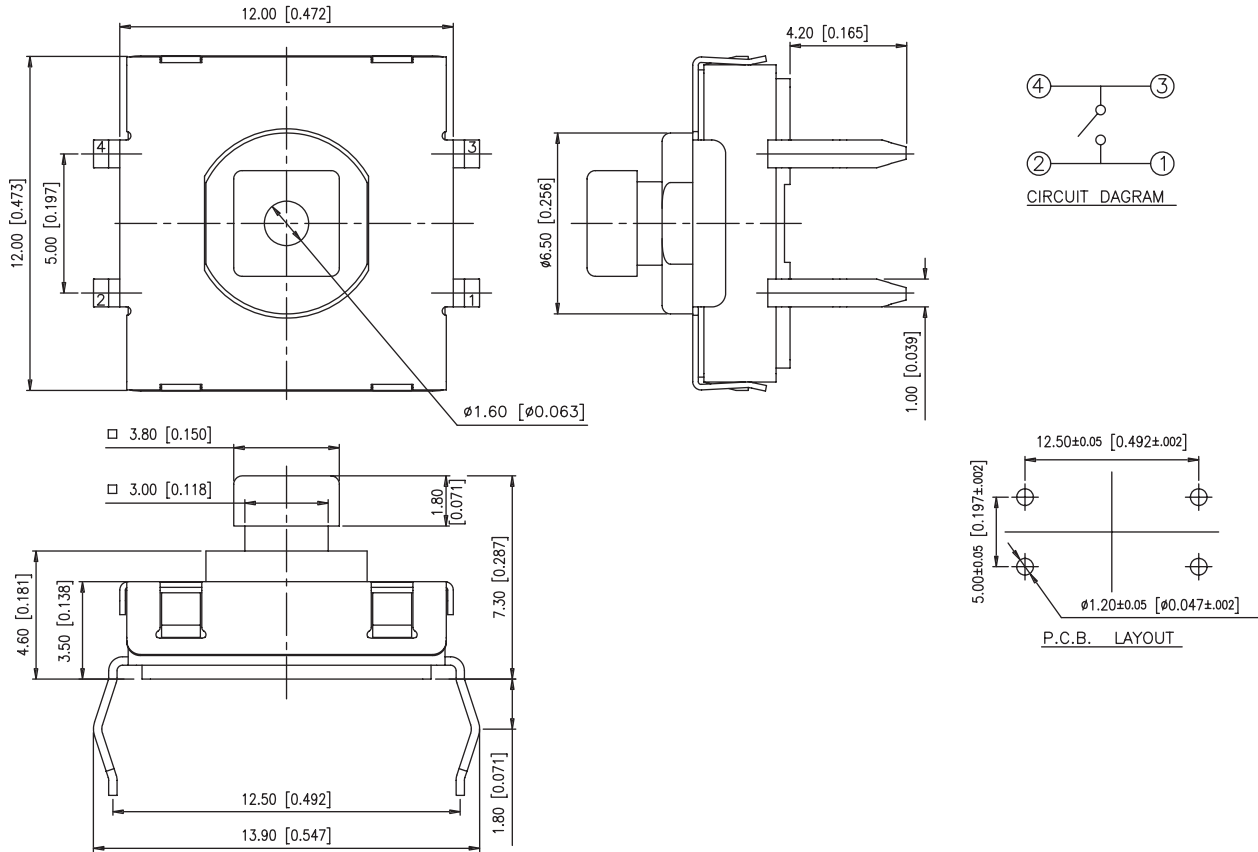
▲ Hand Soldering : Use a soldering iron of 30 watts, controlled at 350° approx. 5 seconds while applying solder

TEMPERATURE PROFILE:

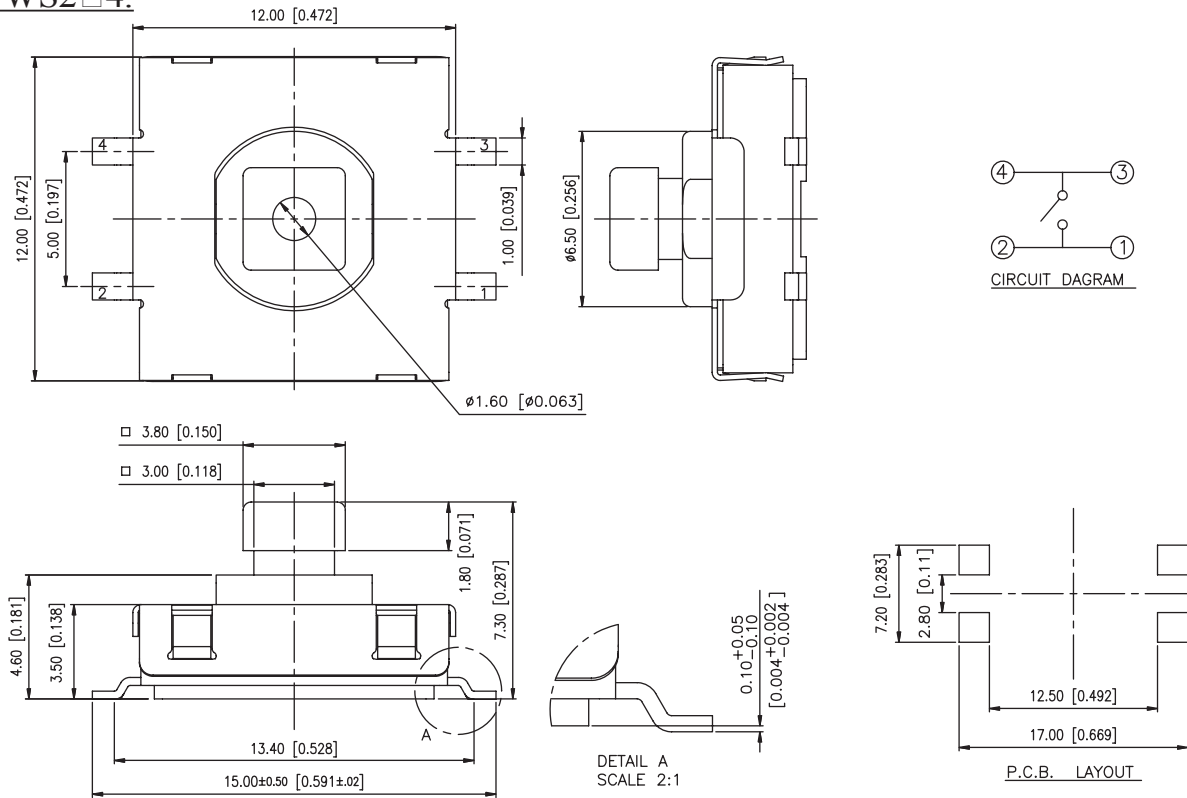


RoHS Compliant
Pb Free
Halogen Free

STSH-WS2□4:

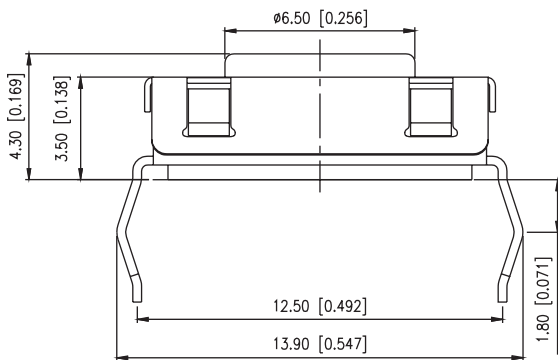
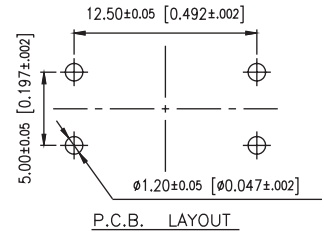
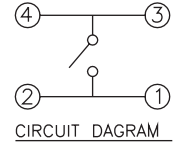
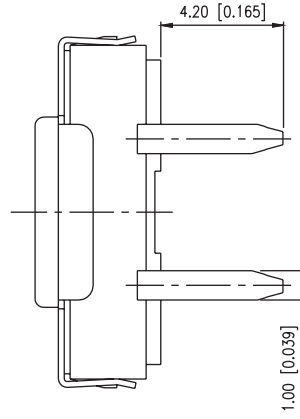
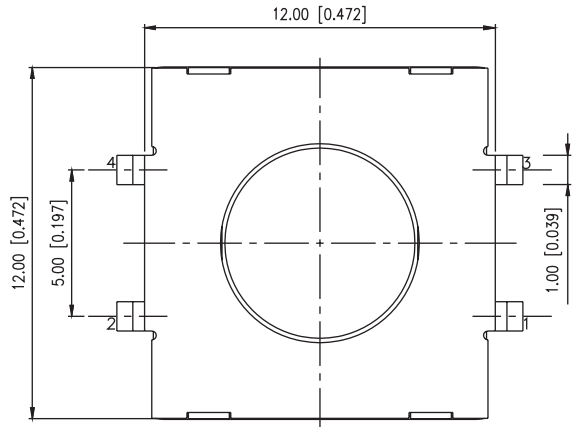


STSM-WS2□4:

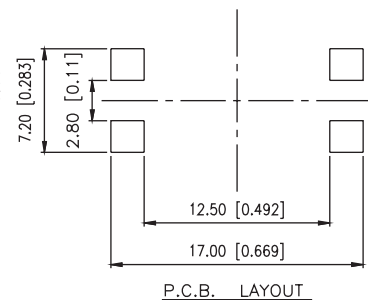
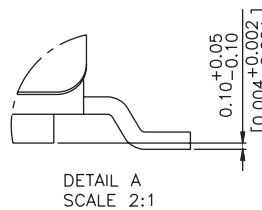
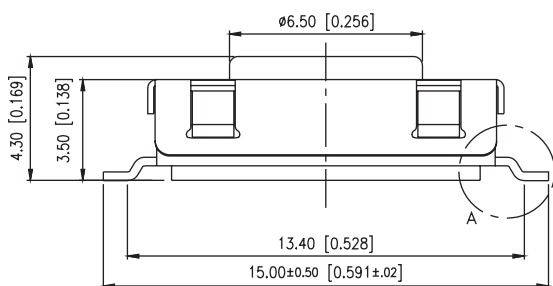
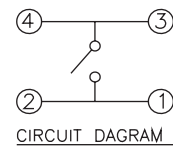
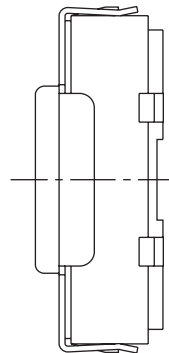
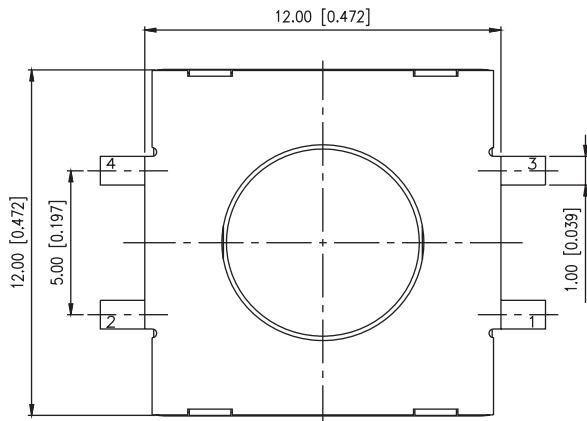


RoHS Compliant
Pb Free
Halogen Free

STSH-WS2□1:



STSM-WS2□1:



RoHS Compliant
Pb Free
Halogen Free

HOW TO ORDER:

STS □ - WS 2 □ □ - Q □

Package style:
B = Tube
T/R = Tape & Reel

RH = RoHS, Lead Free Solderable and Halogen Free

Dimension H:
1 = 4.3mm
4 = 7.3mm

Color of Stem for Operation Force:
N = Brown, 160gf
R = Red, 260gf
W = White, 320 gf
Y = Yellow, 520gf

Prod. Size:
2 = 12x12mm

WS = Washable & Sealed

Termination Type:
M = SMD
H = Through-Hole

Series:
STS = Tactile Switch

CAP PART NUMBER

SCAP - □ □ □

Cap Color:
Y = Yellow
B = Blue
R = Red
I = Ivory
K = Black
G = Green
S = Salmon
GY = Gray

Cap Type:
1 = Square
2 = Round

Prod. Size:
2 = 12x12 mm

See SCAP Series for details.